



Datasheet QM146-RMM

Remote Monitoring Module

Principle

GPRS/GSM 3G-4G internet connection

Description

Model RMM is able to connect our analyzer to our servers in Netherlands to access the analyzer and get remote access. As the first supplier in the world, Arenal uses industrial global GSM routers and global SIM cards that have access to multiple providers in all countries in the world: one system fits all!

Features

- Global GSM/GPRS Router
- Global SIM card with multiple providers per country
- Direct access and control from Arenal to SIM card provider
- High power omni-directional antenna, L=80 mm, 5,5 dBi
- Optional omni-directional high power main antenna, L=600 mm, 8-10 dBi
- Powered by analyzer, by PoE and UTP cable.
- Includes 2 hours of Remote Monitoring Service by Arenal, within 6 months after supply
- Protection degree: IP66
- VPN available with QA04 analyzer
- Enables GSM internet access for laptops or other industrial networks



Specification

- GSM range: 700m, optional 1200 m
- Power supply: 24 Vdc +/- 10%, 24W
- Temperature range: 3-55°C
- Protection degree: IP65

Connectivity

- Ethernet, PoE
- 1x standard antenna, through cable gland, fixed
- 1x SMA connector for optional antenna

Mounting

- Strong and durable aluminum enclosure with powder coating
- Remote mounting up to 100 meters from the analyzer
- Wall mounting without opening lid

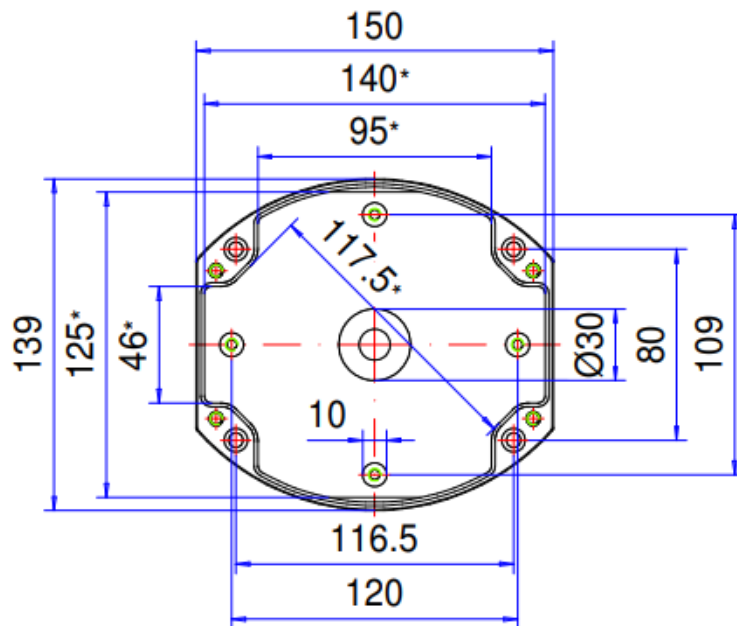
Product variations

- QM146-RMM-VPN/GPRS
With additional embedded VPN module.

Options

- 4-Antenna-GSM-4G-600
High power antenna, L=600 mm
- QC14-UTP-01000
Extended UTP cable, L=10 m

Dimensional drawing



Mounting holes

- 116,5 x 80 mm